



Type FD

## Planetary crane winches FD-Series

Specially designed for applications where space is at a premium, these compact and lightweight lifting winches are ideally suited for installation on cranes, davits and derricks. The single drum support enables the rope to leave the drum at any angle. The heavy duty planetary drive is partly located within and protected by the drum core. The large drum diameters ensure a healthy drum to cable diameter ratio and sufficient working length despite the short drums.

### Standard features

- Heavy duty planetary gearbox
- FD E; IP 54 aluminium braked motor 400 VAC / 3 phase/ 50 Hz
- FD H; orbit or radial piston type hydraulic motor complete with brake valve
- FD LPR; radial piston type air motor complete with hand control valve and mufflers
- Steel drum with cable fixing point at flange
- Single drum support
- Double layer 2 component conservation, colour RAL 5010

### Available options

- IP 56 TENV cast iron motor for marine applications
- Explosion proof motors
- Protective steel motor cover
- Drum pressure roller
- Alternative speeds
- Alternative supply voltages
- Drum guards
- Marine / offshore coating systems
- Tubular offshore frame construction with lifting eyes

### Available control options

- Control box IP 55 with pushbuttons and emergency stop
- Control box IP 55 with low voltage IP 65 remote control
- Load limiter (required by CE)
- Frequency inverter for variable speed control
- Wireless radio remote control system
- Limit switches
- Slack wire switches
- Radio / Infra-red remote control

## TYPE FD-Series electric

TYPE	Max. capacity 1st layer kg	Max. capacity top layer kg/layers	Recomm. rope diam. mm	Speed 1st layer m/min.	Speed top layer m/min.	Drum storage 1st layer m	Drum cap. all layers m/layers	Motor power 400 VAC kW	Order No.
<b>FD 300-E</b>	950	800/4	8	8.5	10	15	70/4	1.5	<b>H50330</b>
<b>FD 301-E</b>	1850	1470/4	11	9	11	10	53/4	3	<b>H50331</b>
<b>FD 303-E</b>	2300	1970/3	12	7	8.5	11	41/3	3	<b>H50332</b>
<b>FD 305-E</b>	3350	2800/3	14	9	11	10	40/3	5.5	<b>H50333</b>
<b>FD 306-E</b>	4100	3500/3	16	7	8.5	15	56/3	5.5	<b>H50334</b>
<b>FD 307-E</b>	5250	4490/3	18	12	14	18	67/3	11	<b>H50335</b>

## TYPE FD-Series hydraulic

TYPE	Max. capacity 1st layer kg	Max. capacity top layer kg/layers	Recomm. rope diam. mm	Speed 1st layer m/min.	Speed top layer m/min.	Drum cap. 1st layer m	Drum storage all layers m/layers	Pressure drop in bar	Flow in l/min.	Order No.
<b>FD 300-H</b>	950	800/4	8	30	35	15	70/4	140	35	<b>H50336</b>
<b>FD 301-H</b>	1850	1470/4	11	20	25	10	53/4	130	55	<b>H50337</b>
<b>FD 303-H</b>	2300	1970/3	12	15	17	11	41/3	130	50	<b>H50338</b>
<b>FD 305-H</b>	3350	2800/3	14	13	16	10	40/3	135	60	<b>H50339</b>
<b>FD 306-H</b>	4100	3500/3	16	13	15	15	56/3	140	70	<b>H50340</b>
<b>FD 307-H</b>	5250	4490/3	18	13	15	18	67/3	170	70	<b>H50341</b>

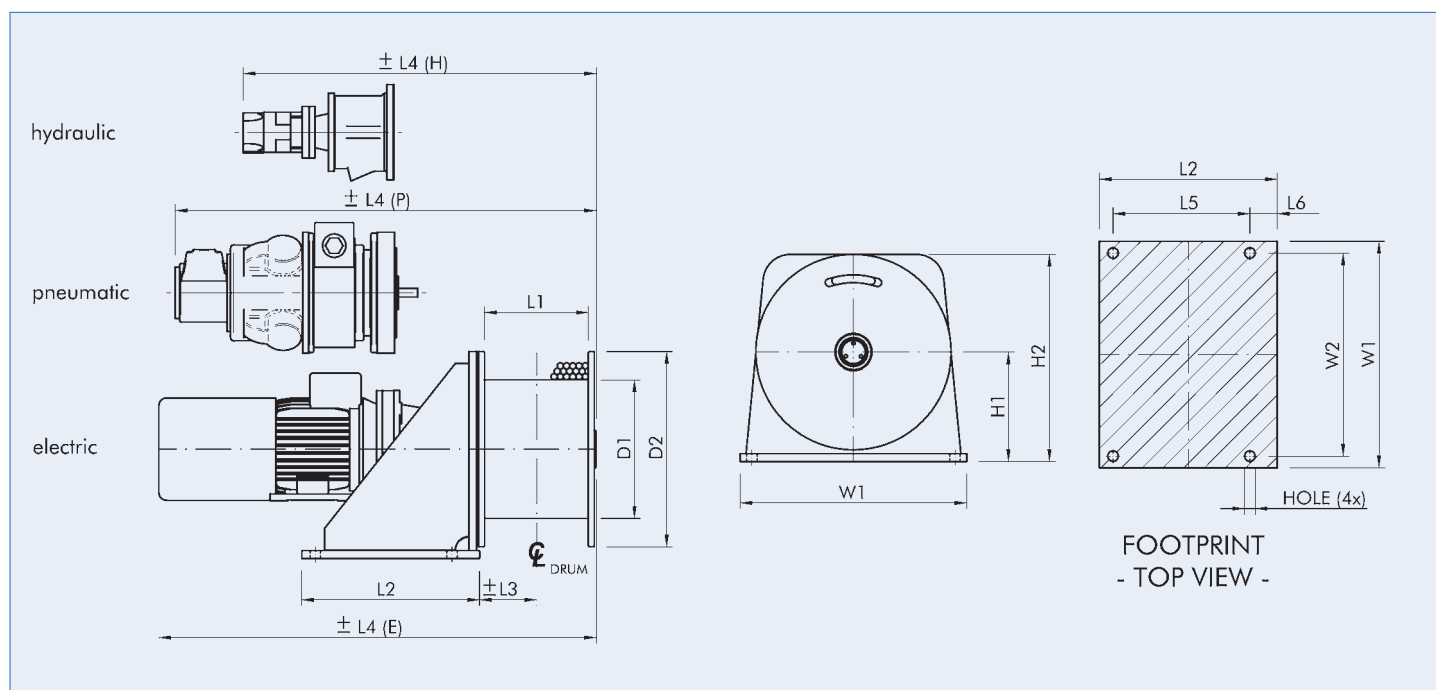
## TYPE FD-Series pneumatic

TYPE	Max. capacity 1st layer kg	Max. capacity top layer kg/layers	Recomm. rope diam. mm	Speed 1st layer m/min.	Speed top layer m/min.	Drum storage 1st layer m	Drum cap. all layers m/layers	Air pressure bar	Air consumption l/sec.	Order No.
<b>FD 300-LPR1</b>	800	675/4	8	8	10	15	70/4	7	30	<b>H50342</b>
<b>FD 300-LPR2</b>	950	800/4	8	18	21	15	70/4	7	90	<b>H50343</b>
<b>FD 301-LPR2</b>	1850	1470/4	11	9	11	10	53/4	7	90	<b>H50344</b>
<b>FD 303-LPR2</b>	2300	1970/3	12	7	8	11	41/3	7	90	<b>H50345</b>
<b>FD 303-LPR3</b>	2300	1970/3	12	15	18	11	41/3	7	150	<b>H50346</b>
<b>FD 305-LPR3</b>	3350	2800/3	14	10	12	10	40/3	7	150	<b>H50347</b>
<b>FD 306-LPR4</b>	4100	3500/3	16	15	18	15	56/3	7	225	<b>H50348</b>
<b>FD 307-LPR4</b>	5250	4490/3	18	12	14	18	67/3	7	240	<b>H50349</b>

FD with angular gear



FD with hydraulic motor



TYPE	Weight kg	Dimensions (mm)														
		D1	D2	L1	L2	L3	L4 (E)	L4 (H)	L4 (L)	L5	L6	H1	H2	W1	W2	Hole-Ø
<b>FD 300</b>	125	244	380	176	310	93	736	520	765	240	44	215	405	440	400	18
<b>FD 301</b>	130	244	380	176	310	93	796	558	785	240	44	215	405	440	400	18
<b>FD 303</b>	175	272	410	191	350	106	818	595	905	275	50	235	440	500	450	22
<b>FD 305</b>	240	272	410	210	350	116	1030	625	950	275	50	235	440	500	450	22
<b>FD 306</b>	330	355	500	266	455	146	1100	780	1110	350	70	285	535	580	520	27
<b>FD 307</b>	590	406	625	310	510	175	1313	885	1215	400	75	348	660	750	680	27